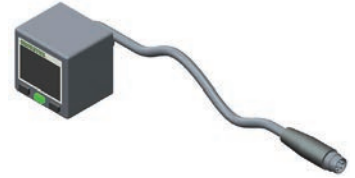


SERIES 280 DIGITAL PRESSURE SWITCH

Performance Data		
Port Size/Thread Type	1/8 ISO 7/1 Rc Male x M5-0.8 Female	
	1/8 NPTF Male x 10/32 UNF Female	
Ambient Temperature Range (°C)	0 to +50	
Rated Pressure Range (bar)	0 to 10	
Maximum pressure (bar)	15	
Fluid	air or inert gas	
Set Pressure Resolution	kPa	1
	kgf/cm ²	0.01
	bar	0.01
	PSI	0.1
LCD Display	7 Segment; Red/Green Color	
Sampling Rate	5 times per second	
Repeatability	≤ +/- 0.2% F.S. +/- 1 Digit	
Hysteresis (window comparator mode)	Adjustable	
Electrical Ratings		
Power Supply Voltage	12 to 24 VDC +/- 10% Ripple (P-P) 10% or Less	
Current Consumption	≤ 45 mA (with no load)	
Switch Output	PNP Open Collector / NPN Open Collector	
Max. Load Current	125 mA 125 mA	
Max Supply Voltage	24 VDC 30 VDC	
Residual Voltage	≤ 1.5 V ≤ 1.5 V	
Load Current	125 mA 125 mA	
Enclosure Rating	IP40	
Materials in Contact with Fluid		
Enclosure Case	PBT + 30 GF	
Port	Nickel Plated Brass	
Seals	NBR	



How to Order

Model Numbers

DPS280PRQ8 1/8 ISO 7/1 Rc (PNP)

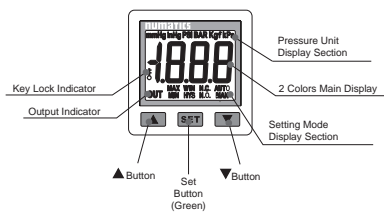
DPS280PNQ8 1/8 NPTF (PNP)

DPS280NNQ8 1/8 NPTF (NPN)

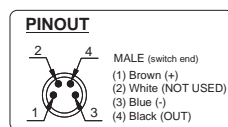
DPS280NRQ8 1/8 ISO 7/1 Rc (NPN)

Note: All part numbers include an 8 mm Pico 4 Pin connector and 2 meter cable (4 mm O.D. x 24 AWG)

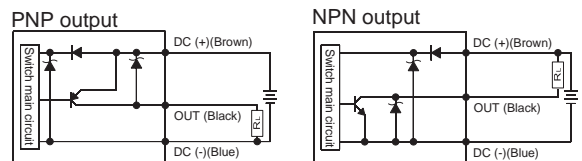
Display Panel Instructions



Switch Wiring



Output Circuit Wiring



Accessory Numbers

Model	Accessory Description
DPS280-8-4-ST-2	Mating Cable 8mm 4 Pin 2 Meter
DPS280-8-4-ST-5	Mating Cable 8mm 4 Pin 5 Meter
PC0402MEETA03000	Patch Cable M8 4 Pin X M12 3 Pin 2 Meter

Model	Accessory Description
PMK280-C	Panel Mount Kit with Cover

01814CB-2020/R01 Availability, design and specifications are subject to change without notice. All rights reserved.

SERIES PS180 PRESSURE SWITCH/DIGITAL PRESSURE GAUGE

Performance Data	
Port Size/Thread Type	ISO 228/1-G (BSPP) & 1/8 NPTF
Ambient temperature range (°C)	-15 to +85
Set Point Adjustment Ranges (bar)	0.28 to 1.38; 0.97 to 10.34
Maximum pressure (bar)	20.7
Fluid	air or inert gas
Maximum Cycle Rate per Minute	200
Hysteresis Adjustment	15%

Electrical Ratings	
Switch Contact Rating	4 A
Maximum Voltage	250 VAC (200 VDC)
Enclosure Rating	IP65

Materials in Contact with Fluid	
Connector Housing	Polyamide
Port	Zinc plated steel
Seals	NBR

How to Order

Model Numbers

PS180CAG01 1/8 ISO 228/1-G
 PS180CAN01 1/8 NPTF

Digital Pressure Gauge

Performance Data	
Port Size/Thread Type	1/8 (ISO 7/1 Rc or NPTF)
Ambient temperature range (°C)	0 to +50
Rated Pressure Range (bar)	0 to 10
Maximum pressure (bar)	15
Fluid	air or inert gas
Display (Unit Measurement)	PSI, bar, Mpa, kgf/cm ²
LCD Display	7 Segment 3-1/2 Digit
Sampling Rate	2 times per second
Repeatability	< +0.2% + 1 Digit

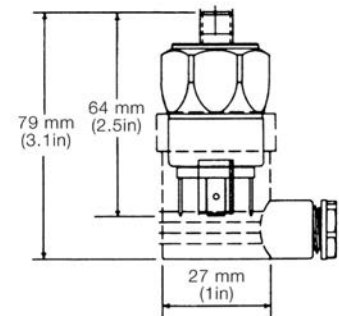
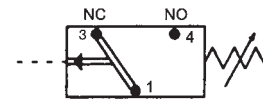
Electrical Ratings	
Battery	CR 2032 Lithium (Replaceable)
Battery Life	3 Year (display turned on 5 times per day)
Battery Power Saving Mode	Display turns off after 30 seconds
Enclosure Rating	IP65

Materials in Contact with Fluid	
Enclosure - Front Case	ABS
Enclosure - Back Case	Zinc
Seals	NBR

How to Order

Model Numbers

M699AG504650002 1/8 ISO 7/1
 M699AG504650001 1/8 NPTF



SERIES 349 PRESSURE SWITCH

Performance Data		Without Protection	With Protection
Port Size/Thread Type	Pad Mounted		
Fluid	Air or Inert Gas		
Pressure Setting	0.2 to 6; 0.5 to 10; 0.5 to 16 bar		
Hysteresis	0.4 bar at the beginning of adjustment range 1 bar at the end of adjustment range		
Operating Temperature (°C)	-10 to 60	0 to 60	
Max Voltage	250V - AC/DC	24VDC	
Current Breaking Capacity	5A - 250V Resistive	2A - 24Vcc Resistive	
Protection Degree	IP65		
Max Speed	60 cycles per minute		
Material in contact with fluid			
Body	High Performance Polymer(PA61/XT) / Aluminium for 16 bar version		
Seals	NBR		

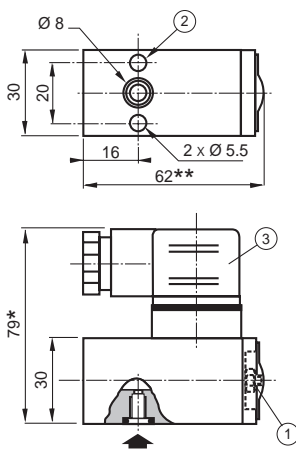


How to Order

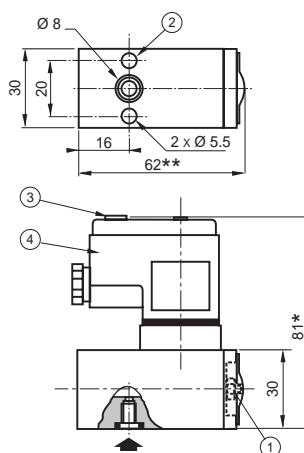
	0.2-6 bar	0.5-10 bar	0.5-16 bar
With Protection	34900028	34900031	34900034
Without Protection	34900027	34900030	34900033

Dimensional Drawings

Without Protection



With Protection



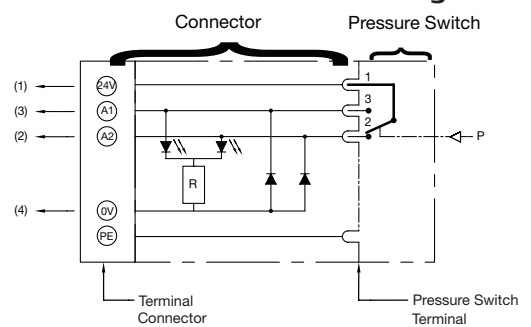
- ① Pressure set screw (spanner for hexagon nuts: 3mm)
- ② 2 holes Ø 5.5 for mounting
- ③ ISO4400 size 30 connector, 4 terminals, rotatable by 90°

* 15mm for connector clearance
** +2mm for 0.5 - 16 bar version

- ① Pressure set screw (spanner for hexagon nuts: 3mm)
- ② 2 holes Ø 5.5 for mounting
- ③ Identification label holder
- ④ ISO 4400 size 30 connector, 4 terminals, non-rotatable

* 15mm for connector clearance
** +2mm for 0.5 - 16 bar version

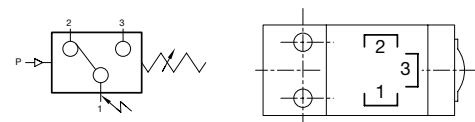
With Protection Electrical Diagram



Status indicated by two diodes:

- at rest: contact 1-2 made: orange diode lights
 - at work: contact 1-3 made: red diode lights
- Terminal connection for 1.5mm² wire integrated interference blinking

Electrical Connection With and Without Protection



ELECTRIC DIFFERENTIAL PRESSURE INDICATOR/ ELECTRONIC LIQUID LEVEL INDICATOR

Electric Differential Pressure Indicator

Performance Data	
Ambient Temperature Range (°C)	-25 to 100
Maximum Pressure (bar)	20
Delta P Setting (bar)	0.7

Electrical Ratings	
Switching Contact	SPDT
14 VDC/5 A; 30 VDC/4 A; 125 VAC/5 A; 250 VAC/5 A	
Minimum Load	5 VDC/160 mA
Enclosure Rating	IP65 (DIN Connector 43650)

Materials in Contact with Fluid	
Body	Brass
Seals	NBR



How to Order

Model Numbers
M699AG439851003

Electronic Liquid Level Indicator (for Lubricator)

Performance Data	
Actuation Point	25 mL (Nominal)
Switch Contact is open when fluid drops below 25 mL	
Connection	1/8-27 NPT External Thread

Electrical Ratings	
Switching Contact	SPST
Switch Type	50 Watt Reed Switch
Wire Size/Length	22 AWG / 610mm

Materials in Contact with Fluid	
Body	Brass
Float	Nylon



How to Order

Model Numbers
M699AG506837001